

WA54M8750AV

SAMSUNG

Samsung activewash™ Top-Load Washer

6.2 cu. ft. Capacity IEC



Signature Features

activewash™

- Built-in sink for pretreatment.

6.2 cu. ft. Capacity

- Largest capacity in its class.*

*Based on USDOE/EPA listing, 27" Width Top Load Washer as of December 2016.

Steam Wash

- Uses the power of steam to remove stains without pretreatment.

Super Speed™

- Complete a wash in as little as 30 minutes.**

** A normal one-hour wash can now be completed in 30 minutes compared to a Samsung WF511 washer without SuperSpeed.™

Wi-Fi Connectivity

- Monitor your laundry using your smartphone.***

*** The Samsung Smart Home app supports Android OS 4.0 (ICS) or later, which is optimized for Samsung smartphones (Galaxy S and Galaxy Note series). This app also supports iOS 7 or later. The Smart Home App is available in App Store and Play Store.

Available Colours



Black Stainless Steel



activewash™



6.2 cu. ft. Capacity

Features

- activewash™
- 6.2 cu. ft. Capacity
- Steam Wash
- Super Speed
- Wi-Fi Connectivity
- VRT Plus®
- Self Clean
- Smart Care
- Integrated Touch Controls
- Swirl Interior Drum Design
- EZ Drawer Dispenser
- 800 RPM Maximum Spin Speed
- Stainless Steel Pulsator
- Direct Drive Motor
- Internal Heater
- 12 Preset Wash Cycles
- 11 Options
- LED Display: Ice Blue
- Door Lid: Chrome Deco Transparent Curved Glass
- Soft-Close Lid
- Child Lock
- Delay End
- 6 Temperature Settings
- 5 Spin Settings
- 5 Soil Settings
- Dispenser Trays: Main Wash, Softener, Bleach (Manual)

Rating



ENERGY STAR® - rated

IMEF = 2.06

IWF = 4.3

180 kWh/yr

WA54M8750AV

SAMSUNG

Samsung activewash™ Top-Load Washer

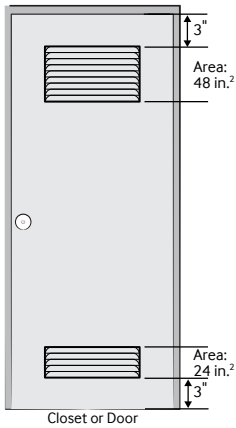
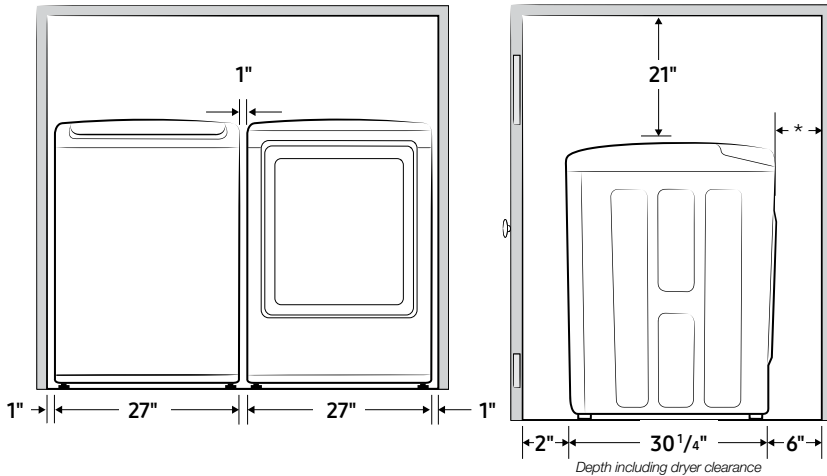
6.2 cu. ft. Capacity IEC

Installation Specifications

Alcove or closet installation

Recessed Area

Side View Confined



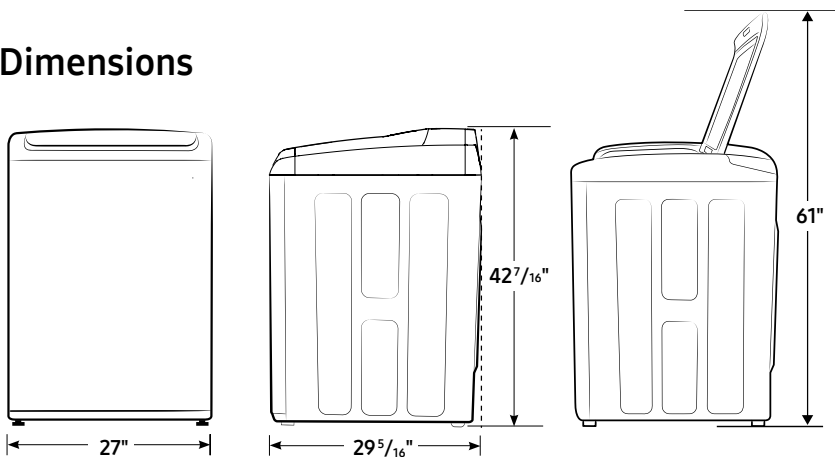
Minimum clearances for closets and alcoves:

- Sides – 1"
- Top – 21"
- Rear – 6"
- Closet Front – 2"

If the washer and dryer are installed together, the closet front must have at least a 72-inch² unobstructed air opening. Your washer alone does not require a specific air opening.

*Required spacing (External exhaust elbow may require additional space.)

Dimensions



12 Preset Wash Cycles:

Normal, Super Speed, Bedding/WaterProof, Heavy Duty, Permanent Press, Steam Sanitize, Brilliant Whites, Delicates/Hand Wash, Quick Wash, Rinse + Spin, Spin Only, Deep Wash

11 Options:

Self Clean, Delay End, My Cycle, Pre Soak, Extra Rinse, Sound On/Off, Child Lock, Fabric Softener, Smart Care, Smart Control, Eco Plus

6 Temperature Settings:

Extra Hot, Hot, Warm, Eco Warm, Cold, Cool

5 Spin Settings:

Extra High, High, Medium, Low, No Spin

5 Soil Settings:

Heavy, Heavy Medium, Normal, Low Medium, Light

2 Sound Level Settings:

On/Off

Dispenser Trays:

Main Wash, Softener, Bleach (Manual)

Warranty

One (1) Year Parts and Labour
Ten (10) Years Direct Drive Motor (Part Only)

Product Dimensions & Weight (WxHxD)

Dimensions: 27" x 42⁷/₁₆" x 29⁵/₁₆"

Weight: 136.7 lbs

Shipping Dimensions & Weight (WxHxD)

Dimensions: 29¹/₂" x 45⁵/₈" x 31"

Weight: 145.5 lbs

Electric

Black Stainless Steel

Model

WA54M8750AV

UPC Code

887276196466

Matching Dryer (Electric/Gas)

Black Stainless Steel

DVE54M8750V

887276197005